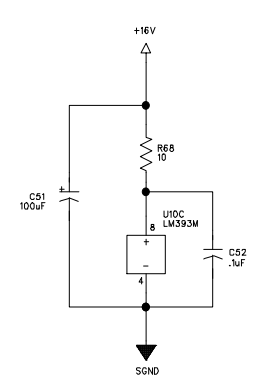
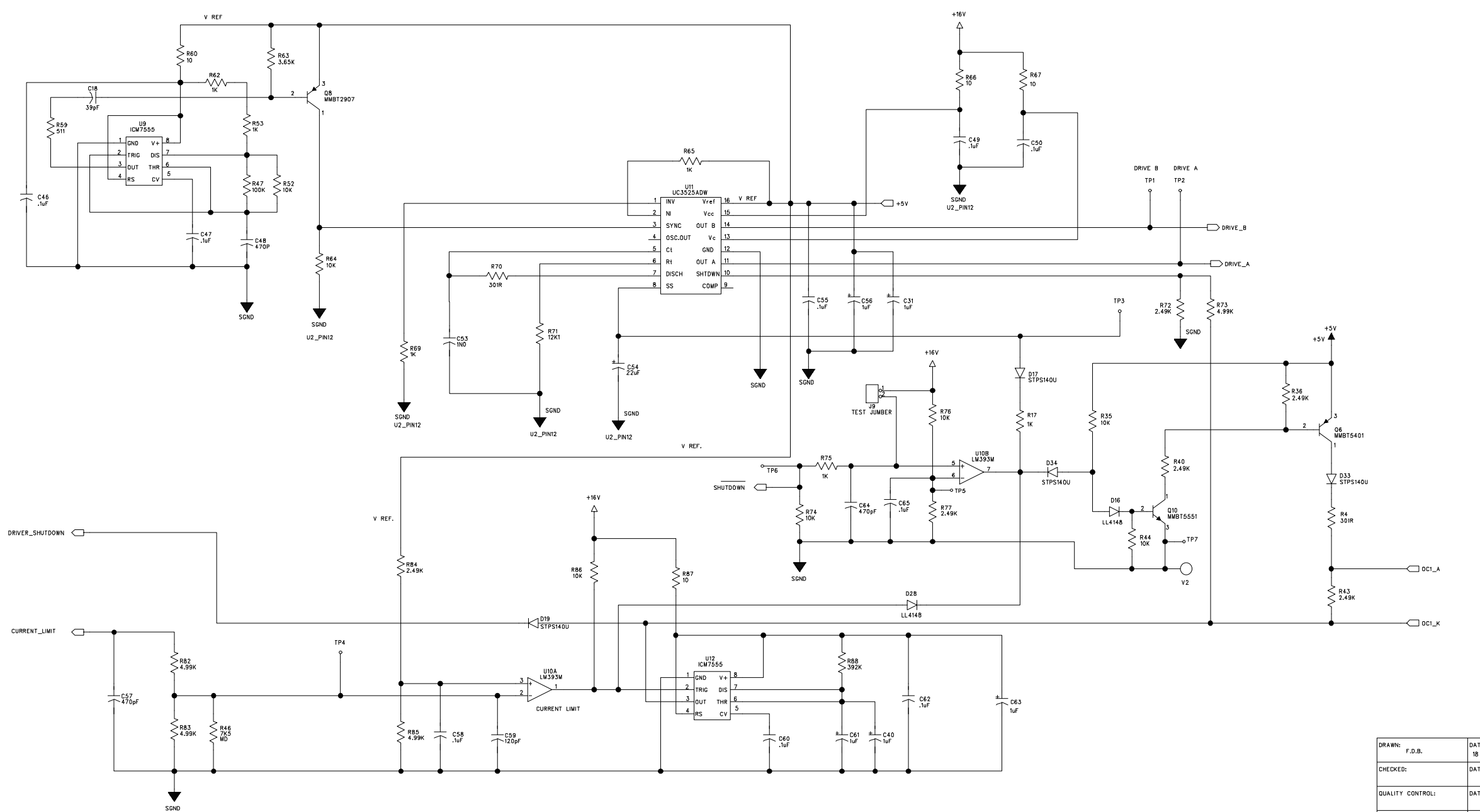
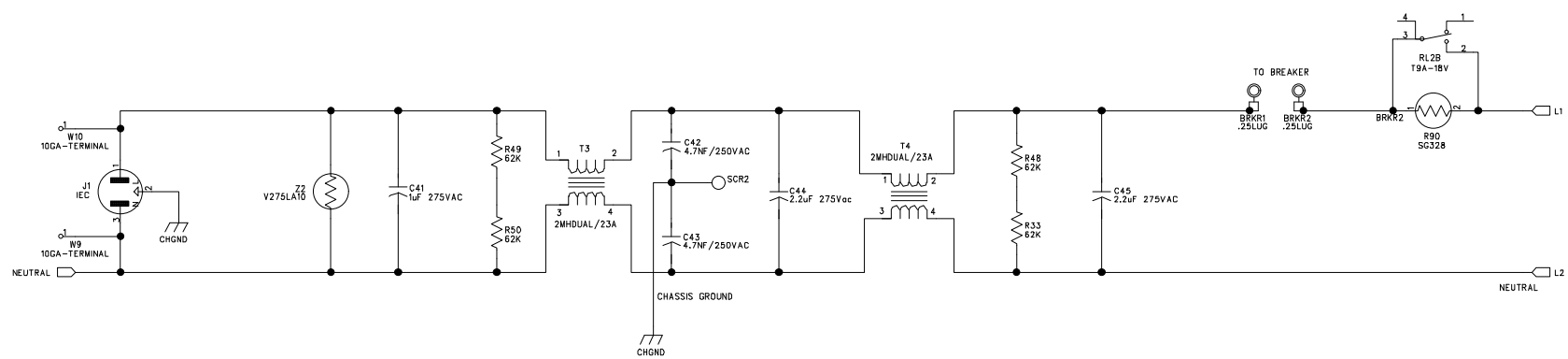


REVISION RECORD			
LTR	ECO NO:	APPROVED:	DATE:



**CREST AUDIO**

TITLE: \_\_\_\_\_

DRAWN: F.D.B.	DATED: 18 MAY00	CODE:	SIZE: D	DRAWING NO:	REV:
CHECKED:	DATED:	SCALE:	SHEET: 5 OF 5		
QUALITY CONTROL:	DATED:				
RELEASED:	DATED:				

DRAWN: F.D.B.	DATED: 18 MAY00
CHECKED:	DATED:
QUALITY CONTROL:	DATED:
RELEASED:	DATED: